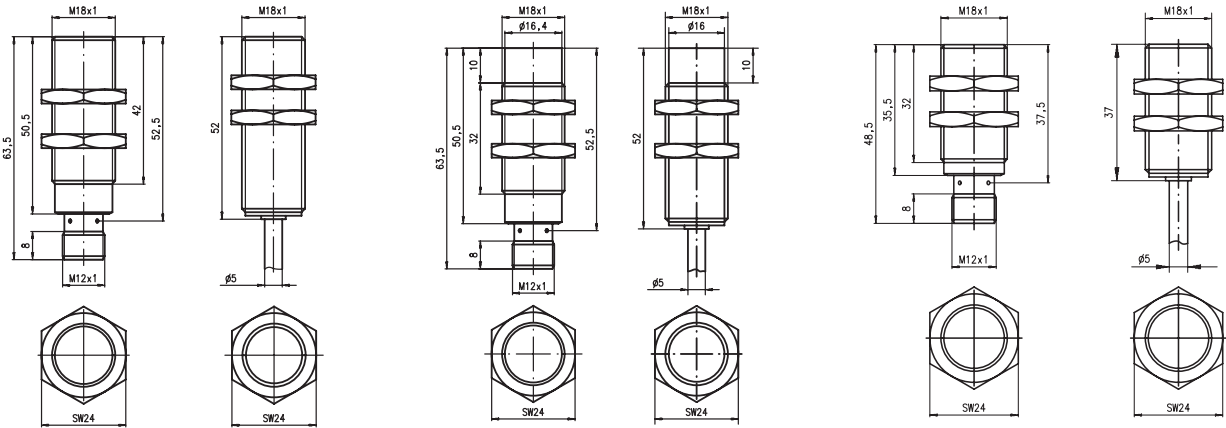


Dimensioned drawings: IS 218



IS 218...E... series

IS 218...N... series

ISS 218...E... series

/// IS 230



With a scanning range of up to 40 mm, this series in the M30 design opens the greatest possible flexibility during mounting.



Benefits:

- Wide spectrum of available ranges enables application in limited spaces
- The sensor can be mounted at a greater distance from moving parts
- The high sensitivity of the sensors makes them the inexpensive solution for special applications, e. g. for close-range detection of small parts
- Sturdy all-metal housing for permanent operation

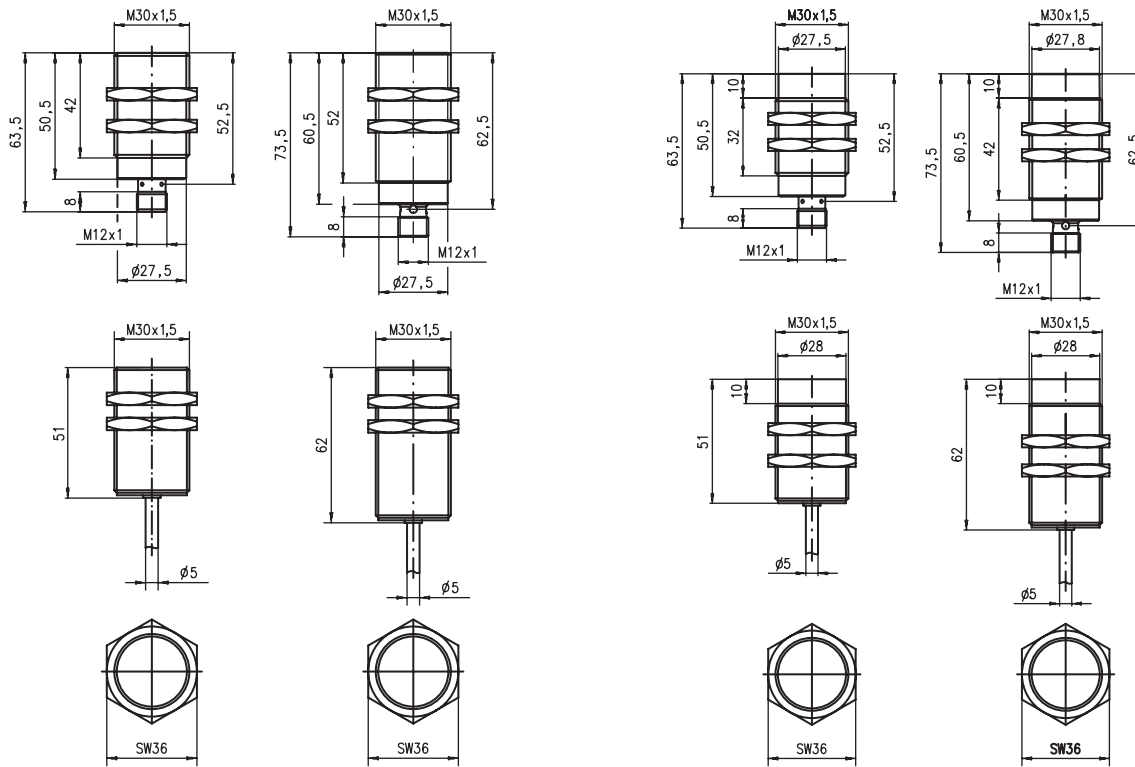


Direct access to the online product selector at www.leuze.com/en/is230

Part no.	Part description	Operating range Sa Typ. operating range limit Sn	Switching frequency	Type of installation	Switching output 1	Description	Connection	Material
50109727	IS 230MM/4NO-40N-S12	0 ... 32.4 mm 40 mm	100 Hz	Non-embedded	Transistor, PNP, make-contact (NO)	DC	Connector, M12, 4-pin	Metal
50109726	IS 230MM/4NO-40N	0 ... 32.4 mm 40 mm	100 Hz	Non-embedded	Transistor, PNP, make-contact (NO)	DC	Cable, 2,000 mm, 3-wire	Metal
50109728	IS 230MM/2NO-40N	0 ... 32.4 mm 40 mm	100 Hz	Non-embedded	Transistor, NPN, make-contact (NO)	DC	Cable, 2,000 mm, 3-wire	Metal
50128813	IS 230MM/4NC-15N-S12	0 ... 12.1 mm 15 mm	700 Hz	Non-embedded	Transistor, PNP, break-contact (NC)	DC	Connector, M12, 4-pin	Metal
50129370	IS 230MM/4NC-15N	0 ... 12.1 mm 15 mm	700 Hz	Non-embedded	Transistor, PNP, break-contact (NC)	DC	Cable, 2,000 mm, 3-wire	Metal
50109717	IS 230MM/4NO-15N-S12	0 ... 12.1 mm 15 mm	700 Hz	Non-embedded	Transistor, PNP, make-contact (NO)	DC	Connector, M12, 4-pin	Metal
50109716	IS 230MM/4NO-15N	0 ... 12.1 mm 15 mm	700 Hz	Non-embedded	Transistor, PNP, make-contact (NO)	DC	Cable, 2,000 mm, 3-wire	Metal
50129371	IS 230MM/2NC-15N	0 ... 12.1 mm 15 mm	700 Hz	Non-embedded	Transistor, NPN, break-contact (NC)	DC	Cable, 2,000 mm, 3-wire	Metal
50109719	IS 230MM/2NO-15N-S12	0 ... 12.1 mm 15 mm	700 Hz	Non-embedded	Transistor, NPN, make-contact (NO)	DC	Connector, M12, 4-pin	Metal
50109718	IS 230MM/2NO-15N	0 ... 12.1 mm 15 mm	700 Hz	Non-embedded	Transistor, NPN, make-contact (NO)	DC	Cable, 2,000 mm, 3-wire	Metal
50109722	IS 230MM/4NC-22E-S12	0 ... 17.8 mm 22 mm	200 Hz	Embedded	Transistor, PNP, break-contact (NC)	DC	Connector, M12, 4-pin	Metal
50109721	IS 230MM/4NO-22E-S12	0 ... 17.8 mm 22 mm	200 Hz	Embedded	Transistor, PNP, make-contact (NO)	DC	Connector, M12, 4-pin	Metal
50109720	IS 230MM/4NO-22E	0 ... 17.8 mm 22 mm	200 Hz	Embedded	Transistor, PNP, make-contact (NO)	DC	Cable, 2,000 mm, 3-wire	Metal
50109723	IS 230MM/2NO-22E	0 ... 17.8 mm 22 mm	200 Hz	Embedded	Transistor, NPN, make-contact (NO)	DC	Cable, 2,000 mm, 3-wire	Metal
50111871	IS 230MM/4NC-10E-S12	0 ... 8.1 mm 10 mm	1,200 Hz	Embedded	Transistor, PNP, break-contact (NC)	DC	Connector, M12, 4-pin	Metal

Part no.	Part description	Operating range Sa Typ. operating range limit Sn	Switching frequency	Type of installation	Switching output 1	Description	Connection	Material
50109713	IS 230MM/4NO-10E-S12	0 ... 8.1 mm 10 mm	1,200 Hz	Embedded	Transistor, PNP, make-contact (NO)	DC	Connector, M12, 4-pin	Metal
50109712	IS 230MM/4NO-10E	0 ... 8.1 mm 10 mm	1,200 Hz	Embedded	Transistor, PNP, make-contact (NO)	DC	Cable, 2,000 mm, 3-wire	Metal
50109714	IS 230MM/2NO-10E	0 ... 8.1 mm 10 mm	1,200 Hz	Embedded	Transistor, NPN, make-contact (NO)	DC	Cable, 2,000 mm, 3-wire	Metal
50129369	IS 230MM/4NC-10E	0 ... 8 mm 10 mm	1,200 Hz	Embedded	Transistor, PNP, break-contact (NC)	DC	Cable, 2,000 mm, 3-wire	Metal

Dimensioned drawings: IS 230



IS 230 ... E ... series

IS 230 ... N ... series

ACCESSORIES: INDUCTIVE SWITCHES, CYLINDRICAL HOUSING

Connection technology

Connection cables

Part no.	Part description	Connection 1	No. of pins	Cable length	Sheathing material
50130690	KD U-M12-4W-V1-050	Connector, M12, angled, female	4-pin	5,000 mm	PVC
50130648	KD U-M12-4A-V1-020	Connector, M12, axial, female	4-pin	2,000 mm	PVC
50130652	KD U-M12-4A-V1-050	Connector, M12, axial, female	4-pin	5,000 mm	PVC
50130842	KD U-M8-3A-P1-020	Connector, M8, axial, female	3-pin	2,000 mm	PUR
50104520	K-D M8A-3P-2m-PVC	Connector, M8, axial, female	3-pin	2,000 mm	PVC
50130832	KD U-M8-3A-V1-050	Connector, M8, axial, female	3-pin	5,000 mm	PVC

Further connection cables can be found on our website

Mounting systems

Mounting brackets

Part no.	Part description	Design	Fastening at device	Fastening at system	Material
50113550	BT D08M.5	Angle, L-shape	Screw type	Through-hole mounting	Stainless steel
50113549	BT D12M.5	Angle, L-shape	Screw type	Through-hole mounting	Stainless steel

Further mounting brackets can be found on our website

Switching sensors

Measuring sensors

Products for safety at work

Identification

Data transmission / Control components

Industrial image processing

Accessories