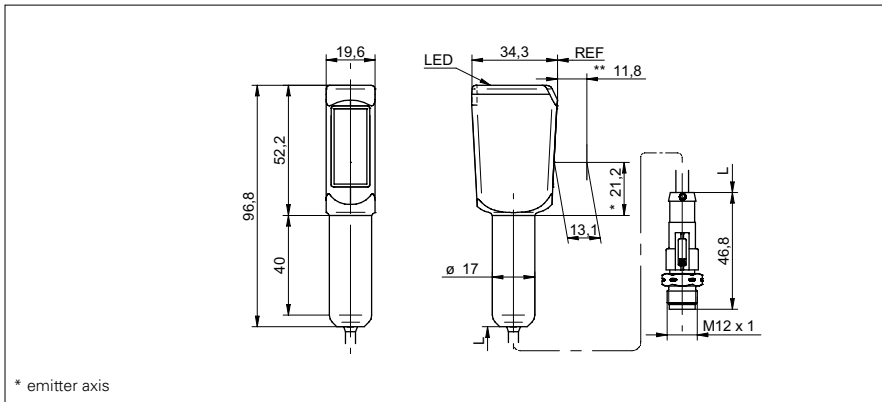


Diffuse contrast sensors

FKDH 14G6901/KS34A

dimension drawing



general data

type	diffuse contrast sensor
special type	hygienic design
light source	white LED
sensing distance Tw	12,5 mm ± 2 mm
light indicator	LED green
output indicator	LED yellow
sensitivity adjustment	Teach-in
distance to focus	12,5 mm
beam height	3 mm
beam width	1 mm
approvals/certificates	Ecolab EHEDG

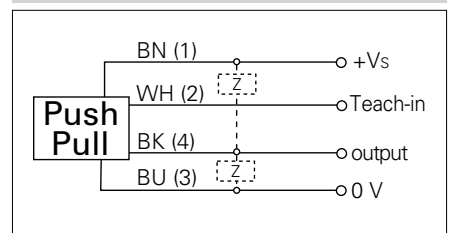
photo



electrical data

response time / release time	< 0,05 ms
voltage supply range +Vs	18 ... 30 VDC
current consumption max. (no load)	50 mA
current consumption typ.	40 mA
voltage drop Vd	< 3 VDC
output function	light / dark operate
output circuit	push-pull
output current	< 100 mA
short circuit protection	yes
reverse polarity protection	yes

connection diagram



proTect⁺

mechanical data

width / diameter	19,6 mm
height / length	52,2 mm
depth	34,3 mm
type	rectangular
housing material	stainless steel 1.4404 (V4A)
front (optics)	PMMA
connection types	flylead connector M12, L=300 mm

ambient conditions

operating temperature	-25 ... +60 °C
protection class	IP 68/69K & proTect+

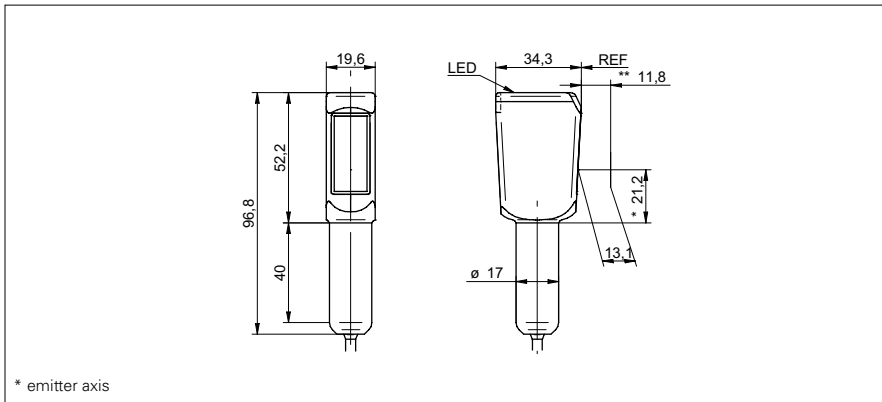


- Sensor FDA compliant, EHEDG certified and Ecolab approved
- sensitivity adjustable: via Teach-in wire input

Diffuse contrast sensors

FKDH 14G6901

dimension drawing



general data

type	diffuse contrast sensor
special type	hygienic design
light source	white LED
sensing distance Tw	12,5 mm ±2 mm
light indicator	LED green
output indicator	LED yellow
sensitivity adjustment	Teach-in
distance to focus	12,5 mm
beam height	3 mm
beam width	1 mm
approvals/certificates	Ecolab EHEDG

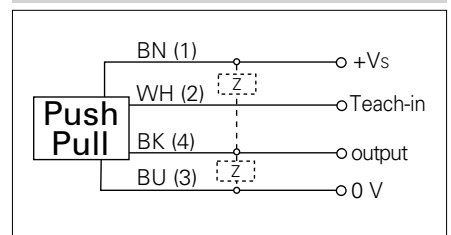
photo



electrical data

response time / release time	< 0,05 ms
voltage supply range +Vs	18 ... 30 VDC
current consumption max. (no load)	50 mA
current consumption typ.	40 mA
voltage drop Vd	< 3 VDC
output function	light / dark operate
output circuit	push-pull
output current	< 100 mA
short circuit protection	yes
reverse polarity protection	yes

connection diagram



proTect⁺

mechanical data

width / diameter	19,6 mm
height / length	52,2 mm
depth	34,3 mm
type	rectangular
housing material	stainless steel 1.4404 (V4A)
front (optics)	PMMA
connection types	cable 4 pin, 2 m

ambient conditions

operating temperature	-25 ... +60 °C
protection class	IP 68/69K & proTect+

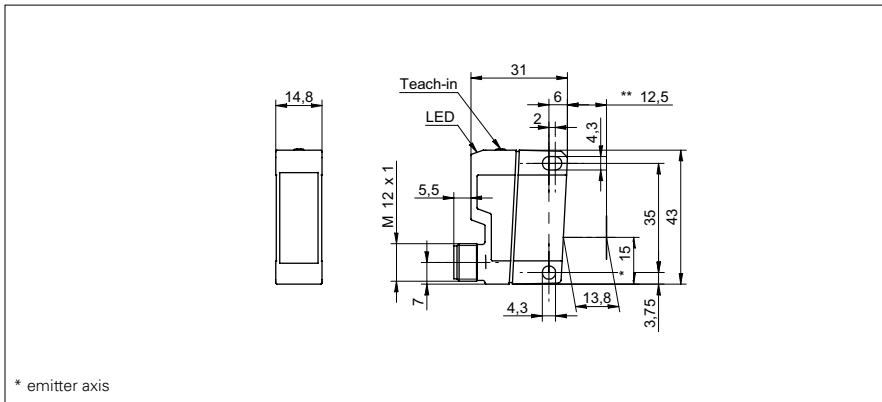


- Sensor FDA compliant, EHEDG certified and Ecolab approved
- sensitivity adjustable: via Teach-in wire input

Diffuse contrast sensors

FKDK 14G6901/S14

dimension drawing



general data

type	diffuse contrast sensor
light source	white LED
sensing distance Tw	12,5 mm ±2 mm
light indicator	LED green
output indicator	LED yellow
sensitivity adjustment	Teach-in
distance to focus	12,5 mm
beam height	3 mm
beam width	1 mm

electrical data

response time / release time	< 0,05 ms
voltage supply range +Vs	18 ... 30 VDC
current consumption max. (no load)	50 mA
current consumption typ.	40 mA
voltage drop Vd	< 3 VDC
output function	light / dark operate
output circuit	push-pull
output current	< 100 mA
short circuit protection	yes
reverse polarity protection	yes

mechanical data

width / diameter	14,8 mm
height / length	43 mm
depth	31 mm
type	rectangular
housing material	plastic (ASA, MABS)
front (optics)	PMMA
connection types	connector M12 4 pin

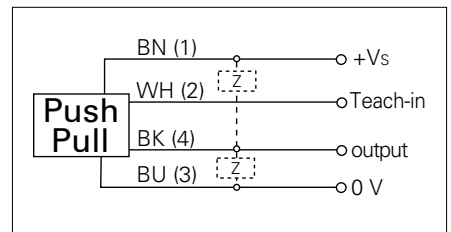
ambient conditions

operating temperature	-25 ... +65 °C
protection class	IP 67

photo



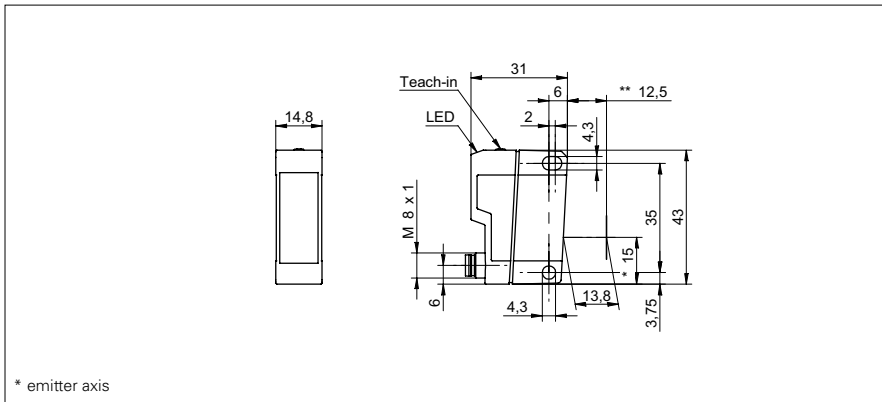
connection diagram



Diffuse contrast sensors

FKDK 14G6901/S35A

dimension drawing



general data

type	diffuse contrast sensor
light source	white LED
sensing distance Tw	12,5 mm ±2 mm
light indicator	LED green
output indicator	LED yellow
sensitivity adjustment	Teach-in
distance to focus	12,5 mm
beam height	3 mm
beam width	1 mm

electrical data

response time / release time	< 0,05 ms
voltage supply range +Vs	18 ... 30 VDC
current consumption max. (no load)	50 mA
current consumption typ.	40 mA
voltage drop Vd	< 3 VDC
output function	light / dark operate
output circuit	push-pull
output current	< 100 mA
short circuit protection	yes
reverse polarity protection	yes

mechanical data

width / diameter	14,8 mm
height / length	43 mm
depth	31 mm
type	rectangular
housing material	plastic (ASA, MABS)
front (optics)	PMMA
connection types	connector M8 4 pin

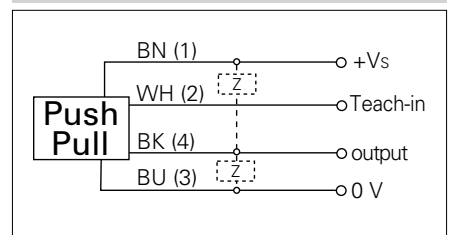
ambient conditions

operating temperature	-25 ... +65 °C
protection class	IP 67

photo



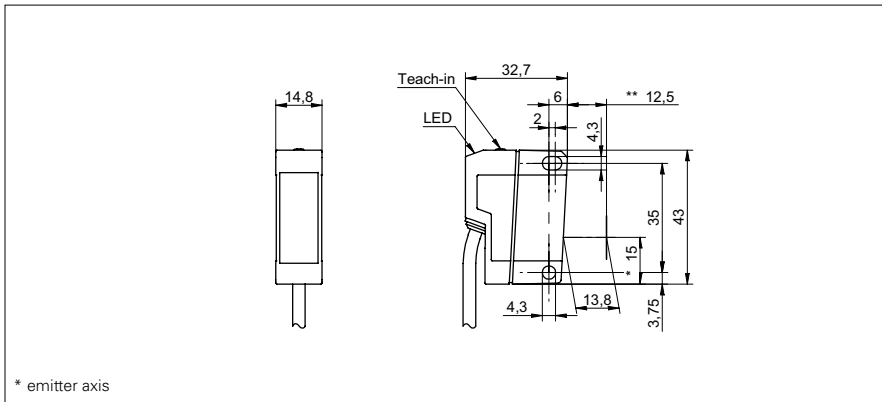
connection diagram



Diffuse contrast sensors

FKDK 14G6901

dimension drawing



* emitter axis

general data

type	diffuse contrast sensor
light source	white LED
sensing distance Tw	12,5 mm ±2 mm
light indicator	LED green
output indicator	LED yellow
sensitivity adjustment	Teach-in
distance to focus	12,5 mm
beam height	3 mm
beam width	1 mm

electrical data

response time / release time	< 0,05 ms
voltage supply range +Vs	18 ... 30 VDC
current consumption max. (no load)	50 mA
current consumption typ.	40 mA
voltage drop Vd	< 3 VDC
output function	light / dark operate
output circuit	push-pull
output current	< 100 mA
short circuit protection	yes
reverse polarity protection	yes

mechanical data

width / diameter	14,8 mm
height / length	43 mm
depth	31 mm
type	rectangular
housing material	plastic (ASA, MABS)
front (optics)	PMMA
connection types	cable 4 pin, 2 m

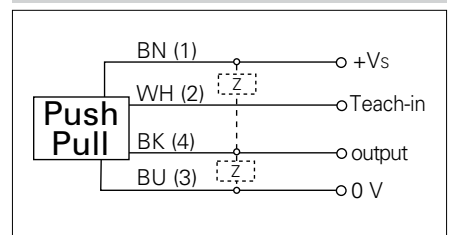
ambient conditions

operating temperature	-25 ... +65 °C
protection class	IP 67

photo



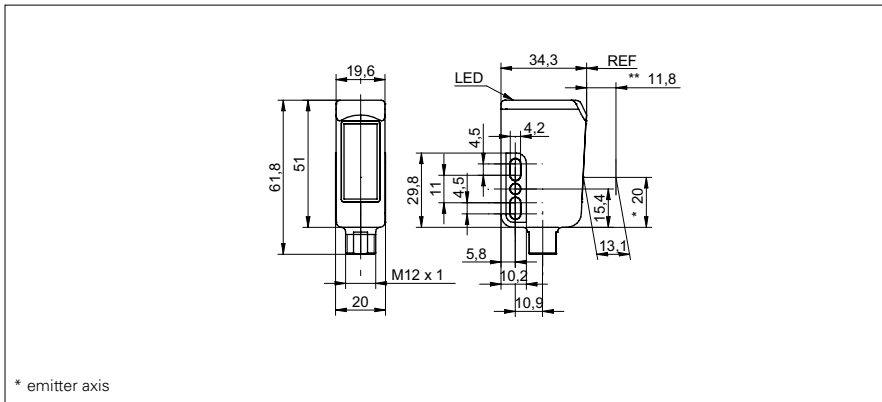
connection diagram



Diffuse contrast sensors

FKDR 14G6901/S14

dimension drawing



* emitter axis

general data

type	diffuse contrast sensor
special type	Washdown design
light source	white LED
sensing distance Tw	12,5 mm ±2 mm
light indicator	LED green
output indicator	LED yellow
sensitivity adjustment	Teach-in
distance to focus	12,5 mm
beam height	3 mm
beam width	1 mm
approvals/certificates	Ecolab

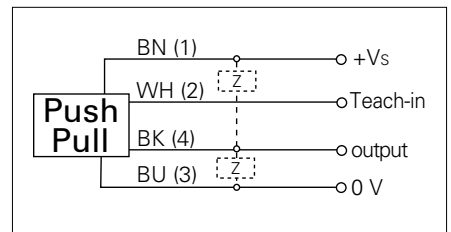
photo



electrical data

response time / release time	< 0,05 ms
voltage supply range +Vs	18 ... 30 VDC
current consumption max. (no load)	50 mA
current consumption typ.	40 mA
voltage drop Vd	< 3 VDC
output function	light / dark operate
output circuit	push-pull
output current	< 100 mA
short circuit protection	yes
reverse polarity protection	yes

connection diagram



proTect⁺

mechanical data

width / diameter	19,6 mm
height / length	51 mm
depth	34,3 mm
type	rectangular
housing material	stainless steel 1.4404 (V4A)
front (optics)	PMMA
connection types	connector M12

ambient conditions

operating temperature	-25 ... +60 °C
protection class	IP 68/69K & proTect+



- Sensor FDA compliant and Ecolab approved
- sensitivity adjustable: via Teach-in wire input